

feather & black

## **OLIVER BEDSTEAD SINGLE**









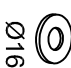

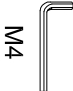
### **IMPORTANT READ CAREFULLY – RETAIN FOR FUTURE REFERENCE**

- Read all instructions before assembly.
- Save all packing materials until assembly is complete to avoid accidentally discarding fittings.
- All assembly fastenings should always be tightened properly and that care should be taken that no fittings are loose.
- To clean, slightly moisten cloth with water and wipe surfaces. A damp cloth holds dust and prevents damage. Repeat with a dry, soft, lint-free cloth.
- Do not use abrasives or cleaning products which may contain ammonia or solvents.
- Once bed is assembled, do not sit, stand or apply weight directly to slats unless mattress is in place.

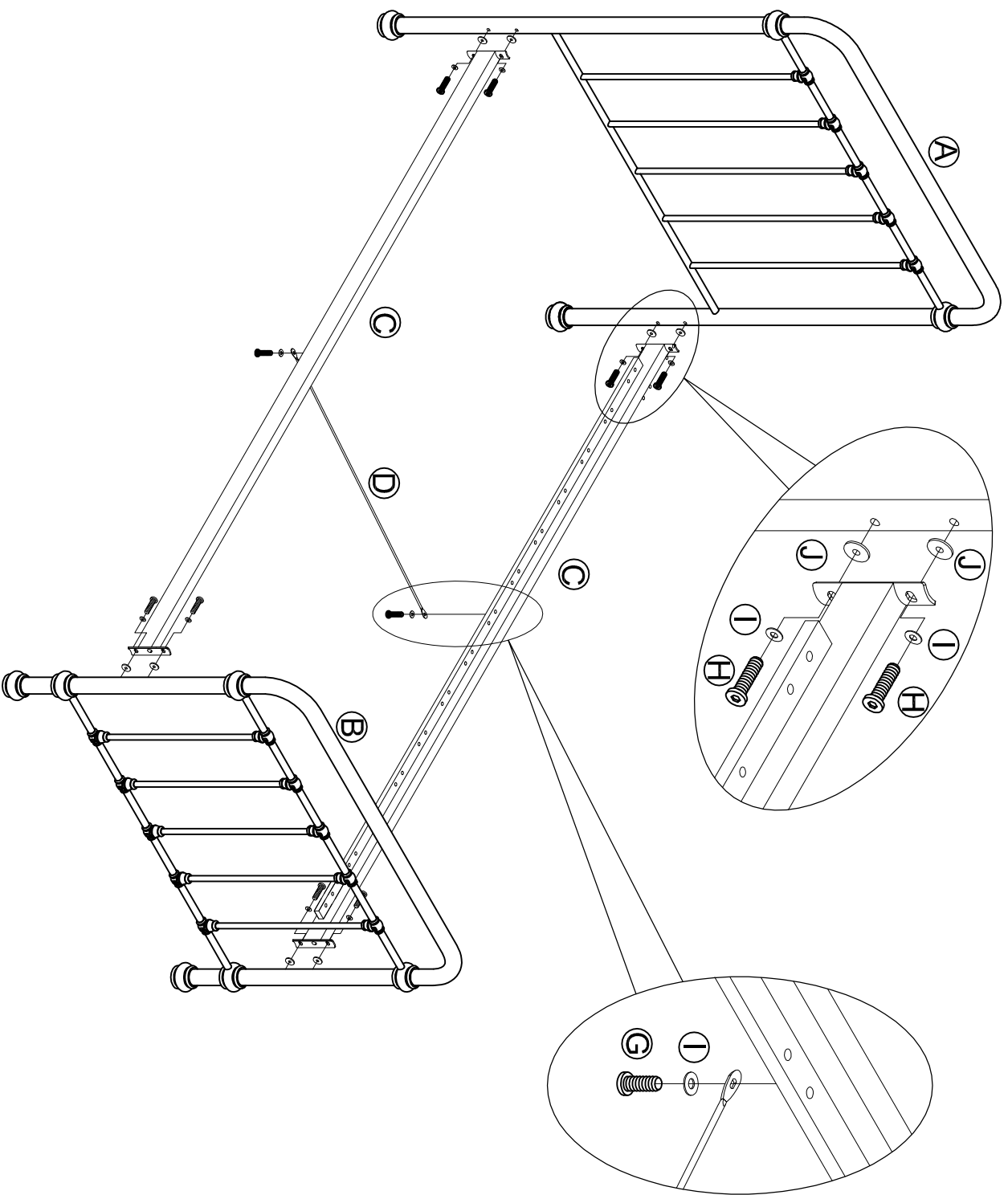
### **TOOLS REQUIRED:**

- **Please use Allen key**

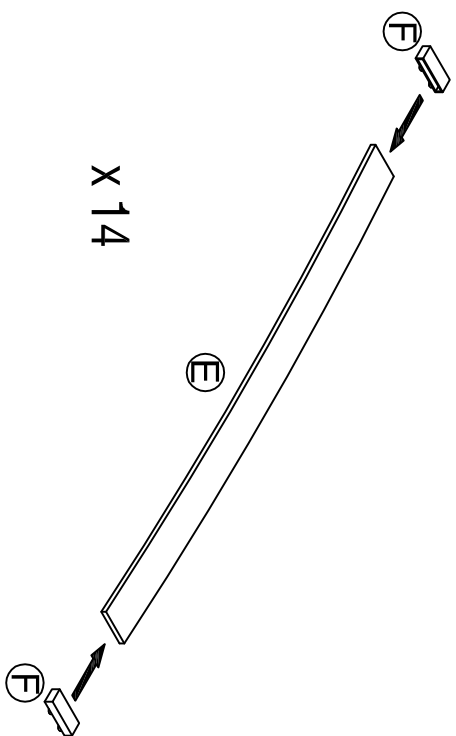


	PARTS	QTY
A		1PC
B		1PC
C		2PCS
D		1PC
E		14PCS
F		28PCS
G		2PCS
H		8PCS
I		10PCS
J		8PCS
K		1PC

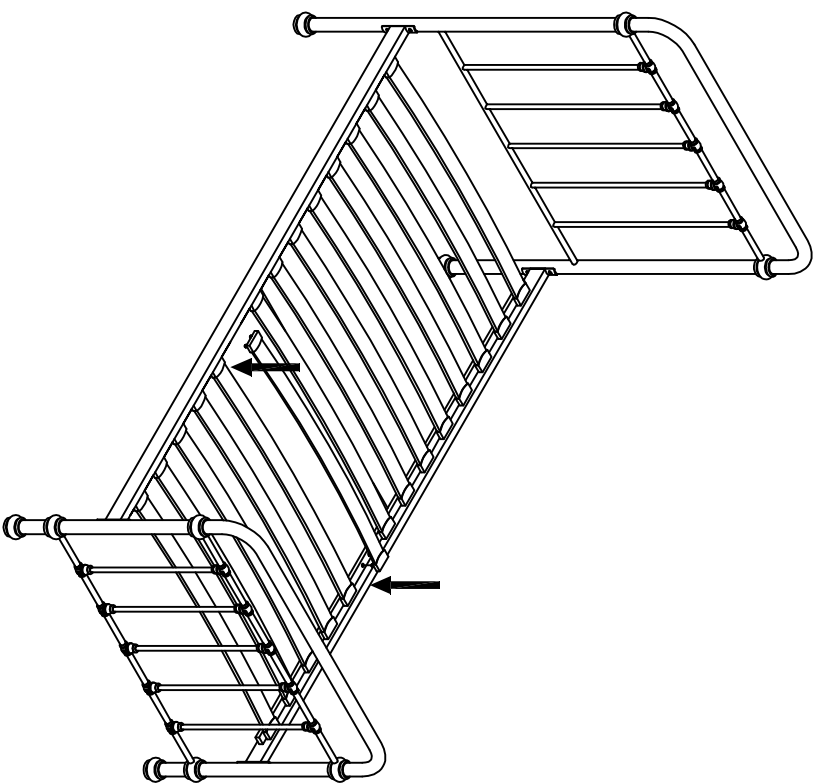
1



2



X 14



3

